

T5 HIGH GLOSS Premier Offset Sheet-fed Ink

Enrich your life!

- International color standard
- Vivid color shade, excellent transferability
- Obtained ISO 2846-1 conformance standard

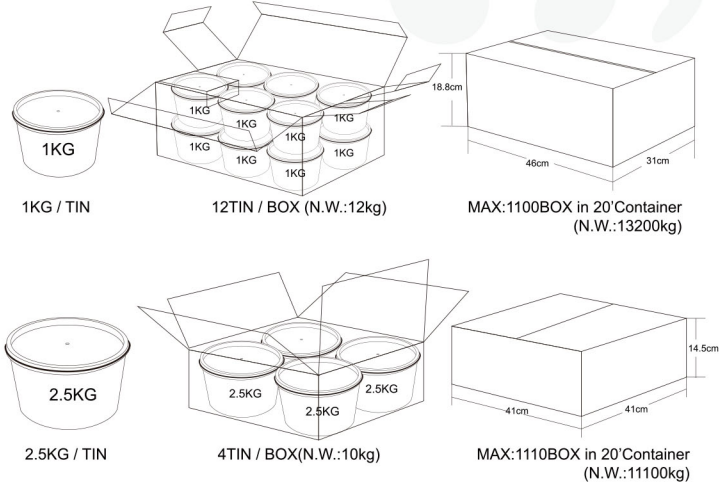
Applicability

Printing speed: 8,000~12,000prints / hour

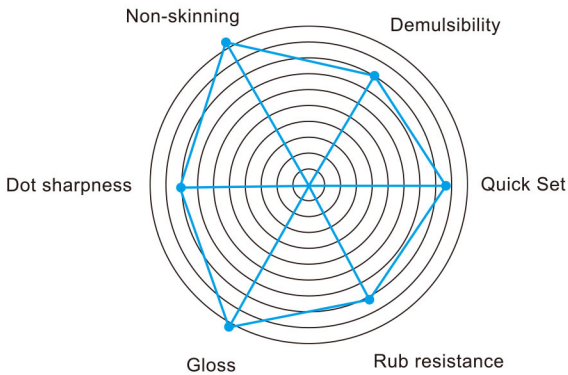
Printing press: Heidelberg Speed master series etc.



Packaging



Technical Parameters



Usage Instruction

- ⊕ Operated under Normal Circumstances;
- ⊕ Less than 3% additional viscosity reducer or modifier is recommended, when low indoor temperature or bad paper surface performance;
- ⊕ Less than 1% additional desiccant is recommended, when high indoor humidity or other affects

Notice

Above data is tested strictly in laboratory only for reference. Please test the product firstly before printing.

Period of Validity

3 years

Resistance Parameters

Type	Light resistance	Water resistance	Acid resistance	Alkali resistance	Alcohol resistance
Yellow	3	5	5	5	5
Magenta	4	5	3	3	5
Cyan	6-7	5	5	5	5
Black	6	5	3	4	5

Resistance: grade 1~ 8. grade 1 weak; grade 8 strong



HIGHTECH
TIANJIN HIGH TECH IMP & EXP CO.,LTD

ADD: 708 HuaKe Building, 3 KaiHua Road, HuaYuan Industrial Zone, Nankai Dist, TianJin City, China
TEL: +86 22 2741 6368 +86 139 2030 4972
FAX: +86 22 8705 2669
Web: www.chinaprintech.com.cn
E-mail: nancy@chinaprintech.com.cn

